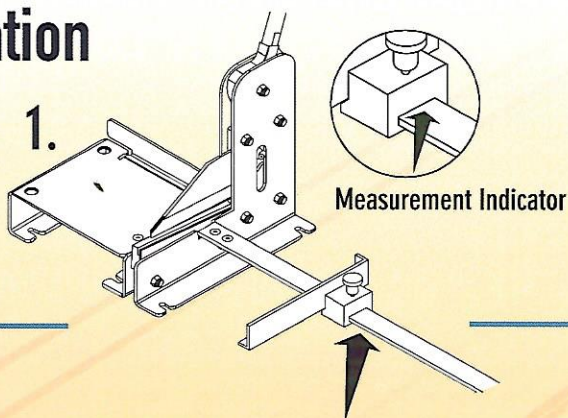




BA7 Cutter

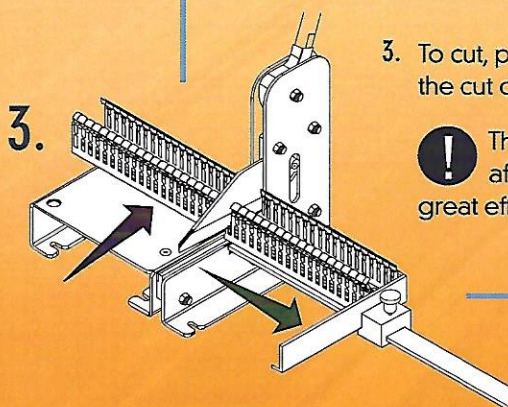
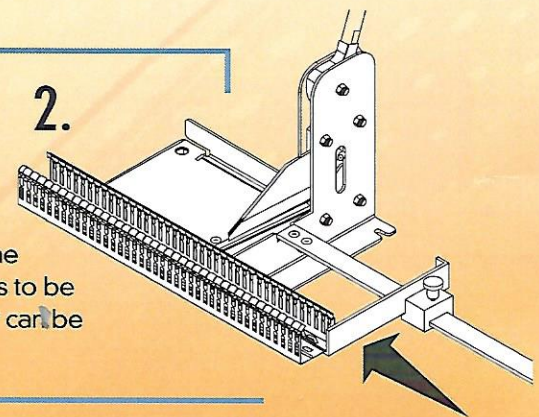
Bench Mount Wiring Duct Cutting Tool

Operation



1. Adjust the desired length of the wiring duct by using the length stopper and lock position by screwing down the thumbscrew. Push down the blade guard with the wiring duct.

2. Hold the wiring duct only at the front and outside of the cutting area and the blade position. Do not reach behind the wiring duct. For the desired cutting dimension connect the wiring duct to the length stopper then slide it completely back against the counter support. The blade has to be placed between the bars. Possibly the duct has to be moved back to the previous slot. If the exact dimension is desired the according bar can be broken out and it can be cut on its place.



3. To cut, pull the level down. After the cutting, press the lever back up and carefully remove the cut duct parts. For this perhaps the length stopper has to be loosened.

! The blade guard has to fold up against the blade automatically after every cutting procedure. If the cutting can be done only with great effort the blade is dull or damaged. It has to be exchanged.

4. To cut covers, repeat steps 1 and 3.

! The rims of the cover must be on top when cutting

