

SCHMERSAL Tech Briefs: TESK Hinged Safety Switch



Overview

The TSK Series is the latest addition to our safety hinge switch product family.

The TSK hinge switch is designed to replace conventional hinges to provide monitoring of the position of machine guards which must be closed for operator safety. It provides guard door position monitoring without a unit mounted at the opening side or the need for readjustments because of misalignments of the guard door and frame.

These switches are available with a factory preset switching angle for inside mounting or surface mounting, or with an adjustable switching angle to allow the installer to set their own specific angle. The adjustable model comes with a special tool that adjusts the switching angle and provides the cap for the adjustment port to prevent operators from readjusting the switching point.

The TSK offers a greater rotation angle than ever before: Hinges are free to swing open through 270°.

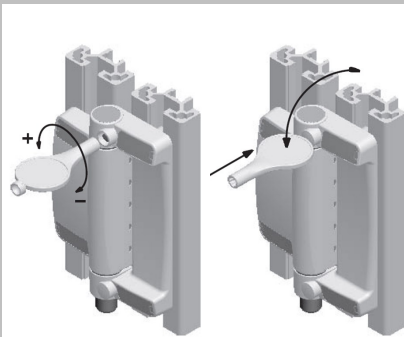
It is easy to install on a wide range of standard aluminum extruded profile frame sizes and other guard styles. It is even available with an extended hinge half with an extra set of mounting holes suitable to secure the hinge to Plexiglas or plastic doors. Models are provided with either a quick connector or prewired cable (1, 3, 5 or 10 meters), available from the top or bottom of the hinge. It is available with 2, 3 or 4 contacts, in a variety of configurations.

Constructed from die cast zinc and with an IP65 rating to resist dust and water, these hinge switches are ideal for interlocking hinged safety guards in industrial environments. We also offer additional matching hinges (without switch) for both the standard and extended hinge types.

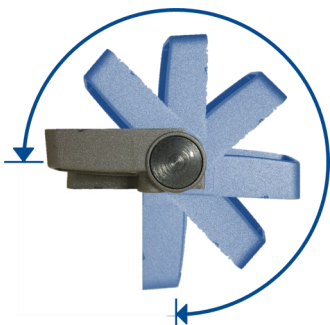
Adjustable switching angle

To set the switching angle in adjustable models (U), use the included adjustment tool.

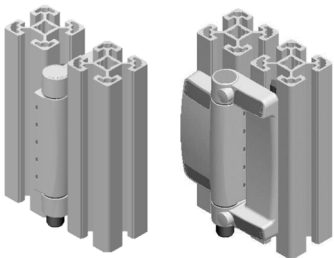
After the switching angle has been set and checked, the blanking plug for the adjustment opening must be put in place to prevent tampering. Insert the blanking plug end of the adjustment tool in the adjustment opening and detach by making lateral movements with the tool. Glue into place, file smooth.



Features



270° rotation of switch halves



Suitable for inside or surface mounting on standard aluminum profiles



Guard door mounting hinge half available in two sizes

Applications

- Material handling systems
- Packaging machinery
- Chemical processing equipment
- Robot cells
- Folding or brake presses
- Filter presses
- Punching machines
- Printing machines
- Injection molding
- Palletizers
- Packaging equipment

Available Literature



TESK Brochure
4 pages

Ordering Details

TESK-①-②-③-④-⑤

- Hinge length**
S Standard version
L Long hinge half
- Switching Angle**
A for surface mounting (180°)
I for inside mounting (0°)
U Adjustable
- Contact configuration**
02 2 NC
11 1 NO / 1 NC
12 1 NO / 2 NC
13 1 NO / 3 NC
22 2 NO / 2 NC
- Wiring**
L1 pre-wired cable, bottom
L2 pre-wired cable, top
ST1 M12, 8 pin connector, bottom
ST2 M12, 8 pin connector, top
- Cable Length (L1/L2 only)**
1M 1 meter
3M 3 meters
5M 5 meters
10M 10 meters

Accessories

Additional hinge (no switch)

TESK-ZS Standard version

TESK-ZL With extended hinge half

Connector cables

M12, 8 pole connectors

103011411 2.5 m length

103011412 5 m length

103011413 10 m length

M12, 5 pole connectors

103010816 5 m length

103010820 10 m length

Compatible Safety Controllers

SRB-E-201LC SRB-E-322ST

SRB-E-201ST SRB-E-402ST

SRB-E-301ST SRB-301MC

SRB-E-212ST

Bold part numbers are regularly stocked

Contact

Schmersal USA

15 Skyline Drive
Hawthorne, NY 10532

Tel: 914-347-4775

Fax: 914-347-1567

E-mail: salesusa@schmersal.com

Schmersal Canada

15 Regan Road, Unit # 3
Brampton, ON L7A 1E3

Tel: 905-495-7540

Fax: 905-495-7543

E-Mail: salescanada@schmersal.com