

# SCHMERSAL Tech Briefs:

## PFB Passive Field Box



### Overview

The PFB is a passive field box used to series connect multiple electronic sensors and electronic locking devices. The fused M12 plug and play configuration of the field box does not reduce the high safety rating of PLE to ISO 13849 and SIL3 to IEC 61508 as offered by the series connection of the electronic RFID and Pulse-Echo Schmersal devices.

For conventional diagnostic devices, one I/O 8-pole cable per PFB box is brought back to the control panel which will provide the signals for the safety outputs and each individual device's diagnostic signal. For serial diagnostic devices only one I/O 8-pole cable in total will be brought to the control panel to provide the signals of the safety outputs and the individual detailed device statuses offered with the serial diagnostic communication.

Dipswitches allow for easy configurations based on number of devices connected and the location within the series chain the field box is located. LEDs at each M12 connector provide a quick visual indication of the basic switch status.

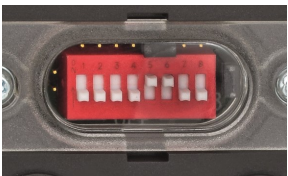
The PFB is IP67 rated and can easily be mounted via two M6 screws allowing it to be installed at various positions on the machine itself.



### Features



Internally 1.5A fused M12 connectors for quick and easy wiring



Dipswitches for configurations based on wiring schemes



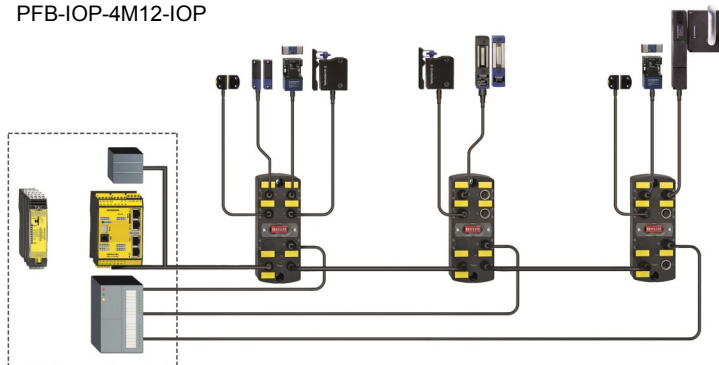
LED indicators at each M12 device connector for power and input

### Wiring of Electronic Safety Devices

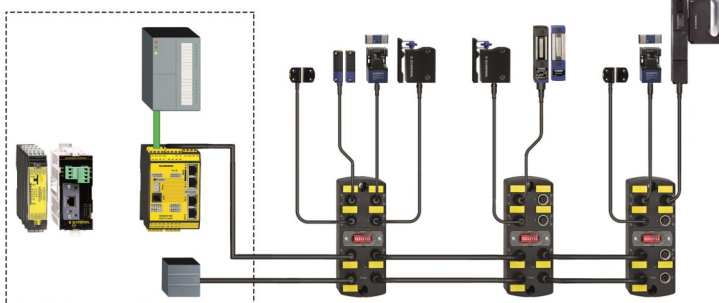
This Passive Field Box is for wiring Schmersal's radio frequency identification (RSS type) and patented Pulse-Echo (CSS type) safety devices. These devices feature a microprocessor based non-contact technology. Internal self-diagnostics eliminate the need for a proprietary dedicated safety controller while maintaining PLE to ISO 13849 and SIL 3 to IEC 61508, even when wired in series. All electronic devices feature LED diagnostics to identify device status and quick disconnect option for easy wiring. Device options include locking and non-locking, magnetic locking, integrated door handle assemblies, IP69K and ECOLAB approved devices.

### Wiring examples

PFB-IOP-4M12-IOP



PFB-SD-4M12-SD



### Ordering Details

#### PFB-IOP-4M12-IOP

For series wiring of up to 4 OSSD devices with conventional diagnostics.

#### PFB-SD-4M12-SD

For series wiring of up to 4 OSSD devices with serial diagnostics.

### Accessories

#### Main Power Cable (M12)

- 103013430** (5.0m, 4-pole, T-code)
- 103013431** (10.0m, 4-pole, T-code)

#### Device to PFB Cable (M12)

- 101217786** (0.5m, 8-pole, A-code)
- 101217787** (1.0m, 8-pole, A-code)
- 101217788** (1.5m, 8-pole, A-code)
- 101217789** (2.5m, 8-pole, A-code)
- 103013428** (3.5m, 8-pole, A-code)
- 101217790** (5.0m, 8-pole, A-code)
- 103013429** (7.5m, 8-pole, A-code)

#### Device to PFB Cable (M8 - RSS 260)

- 103003645** (2.0m, 8-pole, A-code)

#### PFB-IOP Signals Cable (M12)

- 103013426** (5.0m, 8-pole, A-code)
- 103013427** (10.0m, 8-pole, A-code)

#### PFB-SD Signals Cable (M12)

- 103013421** (5.0m, 4-pole, A-code)
- 103013422** (10.0m, 4-pole, A-code)

#### PFB to PFB Power Cable (M12)

- 103013432** (3.0m, 4-pole, T-code)
- 103013433** (5.0m, 4-pole, T-code)
- 103013434** (7.5m, 4-pole, T-code)

#### PFB-SD to PFB-SD Signals Cable (M12)

- 103013423** (3.0m, 4-pole, A-code)
- 103013424** (5.0m, 4-pole, A-code)
- 103013425** (7.5m, 4-pole, A-code)

#### SD Gateway

SD-I-...	Converter to a field bus:
PROFIBUS	DeviceNet
CC-Link	PROFINET I/O
EtherNet IP	CANopen
Modbus TCP	

*Bold part numbers are regularly stocked*

### Available Literature



Installations Systems for Safety Series Connection

### Contact

#### Schmersal USA

15 Skyline Drive  
Hawthorne, NY 10532  
Tel: 914-347-4775  
Fax: 914-347-1567  
E-mail: salesusa@schmersal.com

#### Schmersal Canada

15 Regan Road, Unit # 3  
Brampton, ON L7A 1E3  
Tel: 905-495-7540  
Fax: 905-495-7543  
E-Mail: salescanada@schmersal.com