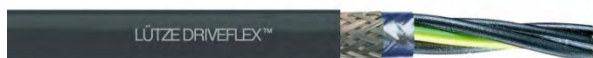


Lutze DRIVEFLEX® XLPE (C) PVC, Shielded

Flexible VFD & Motor Supply Cable with UL/TC-ER/WTTC/CSA/CE Approvals



Application

- Shielded multi-conductor cable for VFD and Motor applications to connect power from drives to motors
- Cable design for harsh industrial environments and operating conditions with high noise levels
- XLPE thick wall insulation with low capacitance, ideal for applications with **high voltage spikes and long cable runs**
- Compliant with **NFPA 79** for wiring of industrial machinery
- **TC-ER** for use with cable trays **without conduit**, which can reduce material and labor costs
- WTTC – wind turbine tray cable rating for use in wind power generation
- Dry, damp or wet conditions



Characteristics

- Flexible XLPE conductor design
- Non-wicking fillers
- Effective dual layer shield for EMC compliance
- Specially formulated jacket for oil resistance and easy strip design
- Low capacitance cable
- Round cable – seals well with circular connectors
- Sunlight resistant
- Direct burial
- UL Type TC-Exposed Run
- Talc free and silicone free

Technical Data

Voltage	600V UL TC 1000V Flexible VFD Servo cable 90C 1000V WTTC
Temperature	-40°C - +90°C static
Bending radius	6 x cable OD
Conductor marking	Black with white numbers and one green/yellow ground
Approvals	UL Type TC-ER UL/AWM/CSA/CE UL DP-1 Flexible VFD Servo cable WTTC Class 1, Div. 2 per NEC Art. 336, 392, 501 C(UL) TC CIC FT4 UL 1277 Oil res II Wet/Dry MSHA RoHS

Part No.	Description No. of conductors incl. ground	OD - Ø ca. mm	OD - Ø inches	Weight Lbs/Mft	Copper Lbs/Mft
AWG 16 (26/30)					
A2161604	4	12.4	0.490	149	57
AWG 14 (41/30)					
A2161404	4	14.2	0.560	200	80
AWG 12 (65/30)					
A2161204	4	15.6	0.615	262	128
AWG 10 (105/30)					
A2161004	4	17.8	0.700	359	186
AWG 8 (168/30)					
A2160804	4	23.5	0.925	603	295
AWG 6 (266/30)					
A2160604	4	25.7	1.010	763	425
AWG 4 (413/30)					
A2160404	4	29.3	1.155	1,126	632
AWG 2 (665/30)					
A2160204	4	33.7	1.325	1,559	997

Construction

- Flexible fine wire stranded tinned copper conductors for improved electrical characteristics and reduced oxidation
- XLPE insulation RHW-2, Wet/Dry
- Shielded with foil tape, tinned copper braid with ≥80% optical coverage, and drain wire
- Flexible, oil resistant black PVC jacket

Specifications are subject to change without prior notice

Technicon

INDUSTRIAL ELECTRONIC CONTROLS
10536 CROSBY CIRCLE
CRANESVILLE, PA 16410-9338
PH: 814-756-4900 FAX: 814-756-5599

Lutze DRIVEFLEX® XLPE (C) Servo I PVC, Shielded

Flexible Composite VFD, Servo & Motor Supply Cable with one Control Pair and UL/TC-ER/WTTC/CSA/CE Approvals



Application

- Shielded multi-conductor cable for VFD, Servo and Motor applications to connect power from drives to motors
- Cable design for harsh industrial environments and operating conditions with high noise levels
- XLPE thick wall insulation with low capacitance, ideal for applications with **high voltage spikes and long cable runs**
- Compliant with **NFPA 79** for wiring of industrial machinery
- **TC-ER** for use with cable trays **without conduit**, which can reduce material and labor costs
- WTTC – wind turbine tray cable rating for use in wind power generation
- Dry, damp or wet conditions

Characteristics

- Flexible XLPE conductor design
- Non-wicking fillers
- Effective dual layer shield for EMC compliance
- Specially formulated jacket for oil resistance and easy strip design
- Low capacitance cable
- Sunlight resistant
- Direct burial
- UL Type TC-Exposed Run
- Talc free and silicone free

Technical Data

Voltage	600V UL TC 1000V Flexible VFD Servo cable 90C 1000V WTTC
Temperature	-40°C - +90°C static
Bending radius	6 x cable OD
Conductor marking	Black with white numbers and one green/yellow ground
Approvals	UL Type TC-ER UL/AWM/CSA/CE UL DP-1 Flexible VFD Servo cable WTTC Class 1, Div. 2 per NEC Art. 336, 392, 501 C(UL) TC CIC FT4 UL 1277 Oil res II Wet/Dry RoHS, REACH

Construction

- Flexible fine wire stranded tinned copper conductors for improved electrical characteristics and reduced oxidation
- XLPE insulation, Wet/Dry (4C RHW-2, 1 Pair XHHW-2)
- Shielded with foil tape, tinned copper braid with ≥80% optical coverage, and drain wire
- Flexible, oil resistant black PVC jacket



WITH ONE SHIELDED CONTROL PAIR

Part No.	Description No. of conductors incl. ground	OD - Ø ca. mm	OD - Ø inches	Weight Lbs/Mft	Copper Lbs/Mft
	AWG 16 (26/30) 1 TSP AWG18 (19/30)				
A2171604	4 + 1 pair	15.7	0.620	228	90
	AWG 14 (41/30) 1 TSP AWG16 (26/30)				
A2171404	4 + 1 pair	16.8	0.650	265	117
	AWG 12 (65/30) 1 TSP AWG16 (26/30)				
A2171204	4 + 1 pair	18.3	0.720	335	160
	AWG 10 (105/30) 1 TSP AWG14 (41/30)				
A2171004	4 + 1 pair	20.6	0.810	420	218
	AWG 8 (168/30) 1 TSP AWG14 (41/30)				
A2170804	4 + 1 pair	26.0	1.025	713	321
	AWG 6 (266/30) 1 TSP AWG14 (41/30)				
A2170604	4 + 1 pair	27.8	1.095	873	453
	AWG 4 (413/30) 1 TSP AWG14 (41/30)				
A2170404	4 + 1 pair	31.0	1.220	1,142	651
	AWG 2 (665/30) 1 TSP AWG14 (41/30)				
A2170204	4 + 1 pair	35.3	1.390	1,579	1,010

Technicon
INDUSTRIAL ELECTRONIC CONTROLS
10536 CROSBY CIRCLE
CRANESVILLE, PA 16410-9338
PH: 814-756-4900 FAX: 814-756-5599

Specifications are subject to change without prior notice

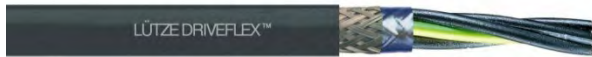
1-800-447-2371



www.lutze.com

Lutze DRIVEFLEX® XLPE (C) Servo II PVC, Shielded

Flexible Composite VFD, Servo & Motor Supply Cable with two Control Pairs and UL/TC-ER/WTTC/CSA/CE Approvals



Application

- Shielded multi-conductor cable for VFD, Servo and Motor applications to connect power from drives to motors
- Cable design for harsh industrial environments and operating conditions with high noise levels
- XLPE thick wall insulation with low capacitance, ideal for applications with **high voltage spikes and long cable runs**
- Compliant with **NFPA 79** for wiring of industrial machinery
- **TC-ER** for use with cable trays **without conduit**, which can reduce material and labor costs
- WTTC – wind turbine tray cable rating for use in wind power generation
- Dry, damp or wet conditions

Characteristics

- Flexible XLPE conductor design
- Non-wicking fillers
- Effective dual layer shield for EMC compliance
- Specially formulated jacket for oil resistance and easy strip design
- Low capacitance cable
- Sunlight resistant
- Direct burial
- UL Type TC-Exposed Run
- Talc free and silicone free

Technical Data

Voltage	600V UL TC 1000V Flexible VFD Servo cable 90C 1000V WTTC
Temperature	-40°C - +90°C static
Bending radius	6 x cable OD
Conductor marking	Black with white numbers and one green/yellow ground
Approvals	UL Type TC-ER UL/AWM/CSA/CE UL DP-1 Flexible VFD Servo cable WTTC Class 1, Div. 2 per NEC Art. 336, 392, 501 C(UL) TC CIC FT4 UL 1277 Oil res II Wet/Dry RoHS, REACH

Construction

- Flexible fine wire stranded tinned copper conductors for improved electrical characteristics and reduced oxidation
- XLPE insulation, Wet/Dry (4C RHW-2, 2 Pairs XHHW-2)
- Shielded with foil tape, tinned copper braid with ≥80% optical coverage, and drain wire
- Flexible, oil resistant black PVC jacket



WITH TWO SHIELDED CONTROL PAIRS

Part No.	Description No. of conductors incl. ground	OD - Ø ca. mm	OD - Ø inches	Weight Lbs/Mft	Copper Lbs/Mft
AWG 16 (26/30) 2 TSP AWG18 (19/30)					
A2181604	4 + 2 pairs	17.8	0.699	278	113
AWG 14 (41/30) 2 TSP AWG16 (26/30)					
A2181404	4 + 2 pairs	19.3	0.760	330	149
AWG 12 (65/30) 2 TSP AWG16 (26/30)					
A2181204	4 + 2 pairs	20.2	0.795	388	187
AWG 10 (105/30) 2 TSP AWG14 (41/30)					
A2181004	4 + 2 pairs	23.6	0.930	553	261
AWG 8 (168/30) 2 TSP AWG14 (41/30)					
A2180804	4 + 2 pairs	27.7	1.090	785	364

Technicon
INDUSTRIAL ELECTRONIC CONTROLS
10536 CROSBY CIRCLE
CRANESVILLE, PA 16410-9338
PH: 814-756-4900 FAX: 814-756-5599

Flexible Composite VFD, Servo & Motor Supply Cable with Three Symmetrical Grounds and UL 2kV Voltage Rating



Application

- Shielded VFD and Servo-Motor cable to connect power from drives to motors
- Three insulated symmetrical grounds design helps to reduce stray currents
- Cable design for harsh industrial environments and operating conditions with high noise levels
- 2 kV rated XLPE thick wall insulation with low capacitance, ideal for applications with **high voltage spikes and long cable runs**
- Compliant with **NFPA 79** for wiring of industrial machinery
- **TC-ER** for use with cable trays **without conduit**, which can reduce material and labor costs
- WTTC – wind turbine tray cable rating for use in wind power generation
- Dry, damp or wet conditions

Characteristics

- Flexible XLPE conductors
- Three symmetrical grounds (PE)
- Non-wicking fillers
- Effective dual layer shield for best EMC results
- Specially formulated jacket for oil resistance and easy strip design
- Low capacitance cable
- Sunlight resistant
- Direct burial
- UL Type TC-Exposed Run
- Talc free and silicone free

Technical Data

Voltage	2000V Flexible VFD Servo cable 90C 1000V WTTC
Temperature	-40°C - +90°C static
Bending radius	7.5 x cable OD
Conductor marking	Black with white numbers and three green/yellow ground
Approvals	UL Type Flexible VFD Servo Cable UL Types WTTC, TC-ER C(UL) TC CIC control cable FT4 CE Class 1, Div. 2 per NEC Art. 336, 392, 501 UL 1277, UL2277 Oil res II Wet/Dry RoHS, REACH

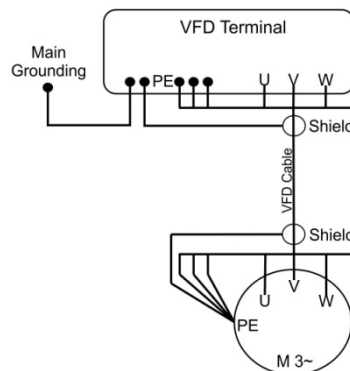
Construction

- Flexible fine wire stranded tinned copper conductors for improved electrical characteristics and reduced oxidation
- XLPE insulation, Wet/Dry
3C RHW-2 (Power), 3C XHHW-2 (Grounds/PE)
- Shielded with foil tape, tinned copper braid with ≥80% optical coverage, and drain wire
- Flexible, oil resistant black PVC jacket



WITH THREE SYMMETRICAL GROUNDS

Part No.	Description No. of conductors incl. ground	OD - Ø ca. mm	OD - Ø inches	Weight Lbs/Mft	Copper Lbs/Mft
	AWG 6 (206/29) AWG12 (50/29)				
A2190603	3C + 3PE	31.4	1.234	960	416
	AWG 4 (322/29) AWG12 (50/29)				
A2190403	3C + 3PE	32.6	1.281	1118	573
	AWG 2 (511/29) AWG10 (80/29)				
A2190203	3C + 3PE	34.9	1.374	1433	860
	AWG 1 (644/29) AWG8 (128/29)				
A2190103	3C + 3PE	39.2	1.543	1860	1105
	1/0 (812/29) AWG8 (128/29)				
A2191/003	3C + 3PE	43	1.693	2299	1323
	2/0 (1022/29) AWG8 (128/29)				
A2192/003	3C + 3PE	45.8	1.803	2700	1595
	3/0 (1288/29) AWG6 (206/29)				
A2193/003	3C + 3PE	51	2.008	3148	2032
	4/0 (1638/29) AWG6 (206/29)				
A2194/003	3C + 3PE	59	2.321	4120	2432



Specifications are subject to change without prior notice

1-800-447-2371



www.lutze.com

Technicon

INDUSTRIAL ELECTRONIC CONTROLS
10536 CROSBY CIRCLE
CRANESVILLE, PA 16410-9338
PH: 814-756-4900 FAX: 814-756-5599