

QUICK REFERENCE MOTOR DIMENSIONS

MOTOR DATA



QUICK REFERENCE MOTOR DIMENSIONS

The dimensions listed here are intended for reference purposes only. Dimensions shown in the shaded areas will not change from one brand to another for motors built to NEMA rigid base or "C" face mounted dimensional standards. Other dimensions shown are determined by the manufacturer rather than NEMA standards. Those listed are for LEESON® motors and may differ from other brands. Beware of NEMA frame suffix letters other than those listed above as they denote different mounting or shaft dimensions. For example, suffix letter Y denotes special mounting provisions and Z denotes special shaft dimensions (as in 184TYZ for example). Motors having no suffix letters (other than NEMA frames 42, 48 and 56) are built to prior NEMA standards.

Prefix letters are often used by manufacturers (as in G184T) to indicate the overall length of a motor but do not denote differences in the NEMA standardized mounting dimensions.

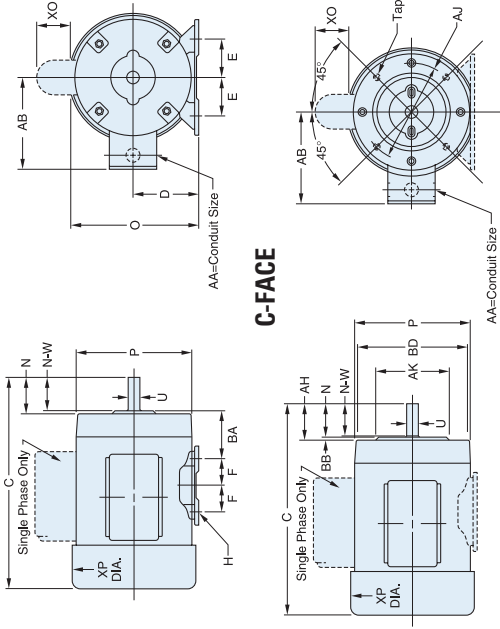
NEMA T FRAME DIMENSIONS

NEMA Series	D	E	F	H	N	O	P	U	N-W	AA Size	AB	AH	AJ	AK	BA*	BB	BD	XO/7^	XP	Tap	Key Size Sq.
42	2 5/8	1 3/4	27/32	Slot	1 1/4	5 1/16	4 7/8	3/8	1 1/8	3/8	4 1/2	1 5/16	3/4	3	2 1/16	1/8	4 7/8	1 5/8	5 1/8	1/4-20(4)	3/64 Flat
48	3	2 1/8	1 3/8	Slot	1 5/8	5 7/8	5 5/8	1/2	1 1/2	1/2	4 7/8	1 11/16	3/4	3	2 1/2	1/8	5	2 1/4	5 7/8	1/4-20(4)	3/64 Flat
56	3 1/2	2 7/16	1 1/2	Slot	2	6 7/8	6 5/8	5/8	1 7/8	1/2	5 3/8	2 1/16	5 7/8	4 1/2	2 3/4	1/8	6 1/2	2 1/4	7 1/4	3/8-16(4)	3/16
143T	3 1/2	2 3/4	2 1/2	11/32	2 3/8	6 7/8	6 5/8	7/8	2 1/4	3/4	5 3/8	2 1/8	5 7/8	4 1/2	2 1/4*	1/8	6 1/2	2 1/4	7 1/4	3/8-16(4)	3/16
145T	3 1/2	2 3/4	2 1/2	11/32	2 3/8	6 7/8	6 5/8	7/8	2 1/4	3/4	5 3/8	2 1/8	5 7/8	4 1/2	2 1/4*	1/8	6 1/2	2 1/4	7 1/4	3/8-16(4)	3/16
182T	4 1/2	3 3/4	2 1/4	13/32	-	8 3/4	8 1/2	1 1/8	2 3/4	3/4	6 3/8	2 5/8	7 1/4	8 1/2	2 3/4*	1/4	8 7/8	2 1/2	9 1/8	1/2-13(4)	1/4
184T	4 1/2	3 3/4	2 3/4	13/32	-	8 3/4	8 1/2	1 1/8	2 3/4	3/4	6 3/8	2 5/8	7 1/4	8 1/2	2 3/4*	1/4	8 7/8	2 1/2	9 1/8	1/2-13(4)	1/4
213T	5 1/4	4 1/4	2 3/4	13/32	-	10 5/8	9 3/4	1 3/8	3 3/8	3/4	8 3/8	3 1/8	7 1/4	8 1/2	3 1/2*	1/4	9	1 3/4	10 3/4	1/2-13(4)	5/16
215T	5 1/4	4 1/4	3 1/2	13/32	-	10 5/8	9 3/4	1 3/8	3 3/8	3/4	8 3/8	3 1/8	7 1/4	8 1/2	3 1/2*	1/4	9	1 3/4	10 3/4	1/2-13(4)	5/16
254T	6 1/4	5	4 1/8	17/32	-	13	13	1 5/8	4	1 1/4	10 1/2	3 3/4	7 1/4	8 1/2	4 1/4*	1/4	10	2 1/4	13	1/2-13(4)	3/8
256T	6 1/4	5	5	17/32	-	13	13	1 5/8	4	1 1/4	10 1/2	3 3/4	7 1/4	8 1/2	4 1/4*	1/4	10	2 1/4	13	1/2-13(4)	3/8
284T			4 3/4	17/32	-			1 7/8	4 5/8		4 3/8	4 3/8									1/2
284TS	7	5 1/2				14 1/2	13 3/8	1 5/8	3 1/4	1 1/2	11 7/8	3	9	10 1/2	4 3/4	1/4	11 1/4	2 1/4	14 1/2	1/2-13(4)	3/8
286T			5 1/2					1 7/8	4 5/8			4 3/8									1/2
286TS								1 5/8	3 1/4			3									3/8
324T			5 1/4	2 1/32	-	16 1/8	15 7/8	2 1/8	5 1/4	2	13	5	11	12 1/2	5 1/4	1/4	14	2 5/8	16 1/8	5/8-11(4)	5/8
324TS	8	6 1/4						1 7/8	3 3/4			3 1/2									1/2
326T			6					2 1/8	5 1/4			5									5/8
326TS								1 7/8	3 3/4			3 1/2									1/2
364T			5 5/8	2 1/32	-	18 3/8	17 7/8	2 3/8	5 7/8	3	14	5 5/8	11	12 1/2	5 7/8	1/4	14	2 5/8	18 3/8	5/8-11(8)	5/8
364TS	9	7						1 7/8	3 3/4			3 1/2									1/2
365T			6 1/8					2 3/8	5 7/8			5 5/8									5/8
365TS								1 7/8	3 3/4			3 1/2									1/2
404T			6 1/8	13/16	-			2 7/8	7 1/4			7									3/4
404TS	10	8						2 1/8	4 1/4	3	16	7	11	12 1/2	6 5/8	1/4	14	2 5/8	20	5/8-11(8)	1/2
405T			6 7/8					2 7/8	7 1/4			7									3/4
405TS								2 1/8	4 1/4			4									1/2
444T			7 1/4					3 3/8	8 1/2			8 1/4									7/8
444TS								2 1/8	4 1/4			4 1/2									5/8
445T			7 1/4					2 3/8	4 3/4			4 1/2									7/8
445TS								2 1/8	4 1/4			4 1/2									5/8
447T			8 1/4	13/16	-			2 1/8	4 1/4	3	20	8 1/4	14	16	7 1/2	1/4	18	3 1/4	24	5/8-11(8)	7/8
447TS								2 1/8	4 1/4			8 1/4									5/8
449T			10					2 3/4	4 3/4			8 1/4									7/8
449TS								2 3/8	4 3/4			8 1/4									5/8
504T			12 1/2					2 3/8	8 1/2			8 1/4									7/8
505			12 1/2					2 3/8	8 1/2			8 1/4									5/8

PRIOR NEMA FRAME MTG. DIMENSIONS

Key	N-W	BA	U	H	F	E	D	Key
66	2 1/4	3 1/8	3/4	13/32	2 1/2	2 15/16	4 1/8	3/16
143	2	2 1/4	3/4	11/32	2 1/2	2 3/4	3 1/2	3/16
145	2	2 1/4	3/4	11/32	2 1/2	2 3/4	3 1/2	3/16
182	2 1/4	2 3/4	7/8	13/32	2 1/4	3 3/4	4 1/2	3/16
184	2 1/4	2 3/4	7/8	13/32	2 1/4	3 3/4	4 1/2	3/16
203	2 1/4	3 1/8	3/4	13/32	2 3/4	4	5	3/16
204	2 1/4	3 1/8	3/4	13/32	2 3/4	4	5	3/16
213	3 1/2	3 1/2	1 1/8	13/32	4 1/4	4 1/4	5 1/4	1/4
215	3	3 1/2	1 1/8	13/32	4 1/4	4 1/4	5 1/4	1/4
224	3	3 1/2	1	13/32	3 3/8	4 1/2	5 1/2	1/4
225	3	3 1/2	1 1/8	13/32	3 3/4	4 1/2	5 1/2	1/4
254	3 3/8	4 1/4	1 1/8	17/32	4 1/8	5	6 1/4	1/4
254U	3 3/8	4 1/4	1 1/8	17/32	4 1/8	5	6 1/4	1/4
256U	3 3/8	4 1/4	1 1/8	17/32	4 1/8	5	6 1/4	1/4
284	3 3/4	4 3/4	1 1/4	17/32	4 3/4	5 1/2	7	1/4
284U	4 7/8	4 3/4	1 1/4	17/32	4 3/4	5 1/2	7	1/4
286U	4 7/8	4 3/4	1 1/4	17/32	4 3/4	5 1/2	7	1/4
324	4 7/8	5 1/4	1 5/8	1 5/8	5 1/4	6 1/4	8	3/8
324U	4 7/8	5 1/4	1 5/8	1 5/8	5 1/4	6 1/4	8	3/8
326	5 5/8	5 1/4	1 7/8	2 1/32	6	6 1/4	8	3/8
326U	5 5/8	5 1/4	1 7/8	2 1/32	6	6 1/4	8	3/8
364	5 5/8	5 7/8	1 7/8	2 1/32	6 1/8	7 1/4	9	1/2
364U	5 5/8	5 7/8	1 7/8	2 1/32	6 1/8	7 1/4	9	1/2
365	6 3/8	5 7/8	2 1/8	2 1/32	6 1/8	7	9	1/2
365U	6 3/8	5 7/8	2 1/8	2 1/32	6 1/8	7	9	1/2
404	6 3/8	6 3/8	2 1/8	2 1/32	6 1/8	7	9	1/2
404U	6 3/8	6 3/8	2 1/8	2 1/32	6 1/8	7	9	1/2
405T	7 1/8	6 5/8	2 1/8	13/16	6 7/8	7 1/4	10	5/8
405U	7 1/8	6 5/8	2 1/8	13/16	6 7/8	7 1/4	10	5/8
444T	7 1/8	7 1/8	2 3/8	13/16	7 1/4	8 1/4	11	5/8
444U	7 1/8	7 1/8	2 3/8	13/16	7 1/4	8 1/4	11	5/8
445T	7 1/8	7 1/8	2 3/8	13/16	7 1/4	8 1/4	11	5/8
445U	7 1/8	7 1/8	2 3/8	13/16	7 1/4	8 1/4	11	5/8
447T	7 1/8	7 1/2	2 3/8	13/16	8 1/4	9 1/4	11	5/8
447U	7 1/8	7 1/2	2 3/8	13/16	8 1/4	9 1/4	11	5/8
449T	8 5/8	8 1/4	2 3/8	13/16	10	10	11	5/8
449U	8 5/8	8 1/4	2 3/8	13/16	10	10	11	5/8
504U	8 5/8	8 1/2	2 7/8	15/16	12 1/2	10	12 1/2	3/4
505	8 5/8	8 1/2	2 7/8	15/16	12 1/2	10	12 1/2	3/4

RIGID MOUNT



The overall length ("C" dimension) will change with the enclosure, horsepower and speed for the same brand and will vary from one brand to another for motors of the same HP, speed or enclosure. For detailed dimensions of all LEESON motors, go to "products" then "product catalog" on www.leeson.com

* NEMA C face motors also having a rigid base have different BA dimensions in the following instances:

143TC & 145TC - 2 3/4" instead of 2 1/4"

182TC & 184TC - 3 1/2" instead of 2 3/4"

213TC & 215TC - 4 1/4" instead of 3 1/2"

254TC & 256TC - 4 3/4" instead of 4 1/4"

^ XO denotes clearance for the capacitors of single phase motors through the 215T frame. On three phase 254T frame and large motors, T denotes clearance for the lifting eyebolt.

IEC/NEMA COMPARISON

IEC NEMA	DIMENSIONS IN MILLIMETERS										KW/HP - FRAME AS-SIGNMENTS 3 Phase - TEFC					
	D	E	F	H	U	BA	N-W	2 Pole		4 Pole		6 Pole				
								2 Pole	4 Pole	2 Pole	4 Pole	2 Pole	4 Pole			
56	56	45	35.5	5.8	9	36	20	-	-	-	-	-	-			
N/A	-	-	-	-	-	-	-	-	-	-	-	-	-			
63	63	50	40	7	11	40	23	.25 KW	.18 KW	.18 KW	.18 KW	-	-			
42	66.7	44.5	21.4	7.1	9.5	52.4	-	1/3 HP	1/4 HP	1/4 HP	1/4 HP	-	-			
71	71	56	45	7	14	45	30	.55	.37	.55	.37	-	-			
48	76.2	54	34.9	8.7	12.7	63.5	38.1	3/4	1/2	3/4	1/2	-	-			
80	80	62.5	50	10	19	50	40	1.1	.75	1.1	.75	55 KW	55 KW			
56	88.9	61.9	38.1	8.7	15.9	69.9	47.6	1 1/2	1	1 1/2	1	3/4 HP	3/4 HP			
90S	90	70	50	10	24	56	50	1.5	1.1	1.5	1.1	.75	.75			
143T	88.9	69.8	50.8	8.7	22.2	57.2	57.2	2	1 1/2	2	1 1/2	1	1			
90L	90	70	62.5	10	24	56	50	2.2	1.5	2.2	1.5	1.1	1.1			
145T	88.9	69.8	63.5	8.7	22.2	57.2	57.2	3	2	3	2	1 1/2	1 1/2			
100L	100	80	70	12	28	63	60	3	2.2	3	2.2	1.5	1.5			
N/A	-	-	-	-	-	-	-	4	3	4	3	2	2			
112S	112	95	57	12	28	70	60	3.7	2.2	3.7	2.2	1.5	1.5			
182T	114.3	95.2	57.2	10.7	28	70	69.9	5	3	5	3	2	2			
112M	112	95	70	12	28	70	60	3.7	4	3.7	4	2.2	2.2			
184T	114.3	95.2	68.2	10.7	28	70	69.9	5	5.4/5	5	5.4/5	-	-			
132S	132	108	70	12	38	89	80	7.5	5.5	7.5	5.5	3	3			
132M	133.4	108	69.8	10.7	34.9	89	85.7	10	7 1/2	10	7 1/2	-	-			
215T	133.4	108	88.8	10.7	34.9	89	85.7	-	-	-	-	7.5	5.5			
160M+	160	127	105	15	42	108	110	15	11	15	11	7.5	7.5			
254T	158.8	127	104.8	13.5	41.3	108	101.6	20	15	20	15	10	10			
160L+	160	127	127	15	42	108	110	18.5	15	18.5	15	11	11			
256T	158.8	127	127	13.5	41.3	108	101.6	25	20	25	20	15	15			
180M+	180	139.5	120.5	15	48	121	110	22	18.5	22	18.5	-	-			
284T	177.8	139.8	120.2	13.5	47.6	121	117.5	-	25	-	25	-	-			
180L+	180	139.5	139.5	15	48	121	110	22	22	22	22	15	15			
286T	177.8	139.8	139.8	13.5	47.6	121	117.5	30	30	30	30	20	20			
200M+	180	159	133.5	19	55	133	110	30	30	30	30	-	-			
324T	203.3	158.8	133.4	16.7	54	133	133.4	40	40	40	40	-	-			
200L+	200	159	152.5	19	55	133	110	37	37	37	37	22	22			
326T	203.2	158.8	152.4	16.7	54	133	133.4	50	50	50	50	30	30			
225S+	225	178	143	19	60	149	140	50	50	50	50	30	30			
364T	228.6	177.8	142.8	16.7	60.3	149	149.2	-	50/75	40	50/75	40	40			
225M+	225	178	155.5	19	60	149	140	45	45	45	45	37	37			
365T	228.6	177.8	155.6	16.7	60.3	149	149.2	60/75	60/75	60/75	60/75	50	50			
250M+	250	203	174.5	24	65	168	140	55	55	55	55	-	-			
405T	254	203.2	174.6	20.6	73	168	184.2	75/100	75/100	75/100	75/100	-	-			
280S+	280	228.5	184	24	75	190	140	-	-	-	-	45	45			
444T	279.4	228.6	184.2	20.6	85.7	190	215.9	-	-	-	-	60/100	60/100			
280M+	280	228.5	209.5	24	75	190	140	-	-	-	-	55	55			
445T	279.4	228.6	209.6	20.6	85.7	190	215.9	-	-	-	-	75/125	75/125			

+ Shaft dimensions of these IEC frames may vary between manufacturers.

~ Horsepower listed is closest comparable rating with similar mounting dimensions. In some instances, this results in a greater HP rating than required. For example, 37KW 4 pole converts to 50HP but nearest HP rating in the NEMA frame having comparable dimensions is 75HP. In these instances, the HP rating printed in black is the direct conversion, and HP printed in blue is the HP of the dimensionally desirable frame. OBSERVE CAUTION if the drive train or driven load is likely to be damaged by the greater HP.

Equivalent HP can be calculated by multiplying the KW rating by 1.341. Multiply HP by .7457 to convert HP to KW.

To convert from millimeters to inches, multiply by .03937
To convert from inches to millimeters, multiply by 25.4

NEMA FRAME ASSIGNMENTS OPEN & TEFC (TEFC FRAMES IN BLUE WHERE DIFFERENT THAN OPEN)

NEMA Frame Program HP	3600 RPM				1800 RPM				1200 RPM				900 RPM			
	T Frames 1964	U Frames 1952	Original NEMA Frames	T Frames 1964	U Frames 1952	Original NEMA Frames	T Frames 1964	U Frames 1952	Original NEMA Frames	T Frames 1964	U Frames 1952	Original NEMA Frames	T Frames 1964	U Frames 1952	Original NEMA Frames	
																U Frames 1952
1	-	-	-	143T	182	203	143T	182	204	143T	182	204	143T	182	204	
1 1/2	143T	182	203	145T	184	204	145T	184	204	145T	184	204	145T	184	204	
2	145T	184	204	182T	213	225	182T	213	224	182T	213	224	182T	213	224	
3	182T	213	225	215T	254	284	215T	254	284	215T	254	284	215T	254	284	
5	215T	254	284	284T	324	364	284T	324	364	284T	324	364	284T	324	364	
7 1/2	284T	324	364	364S/365S	404U/404S	444S/444S	364S/365S	404U/404S	444S/444S	364S/365S	404U/404S	444S/444S	364S/365S	404U/404S	444S/444S	
10	364S/365S	404U/404S	444S/444S	404S/404S	444S/444S	484S/484S	404S/404S	444S/444S	484S/484S	404S/404S	444S/444S	484S/484S	404S/404S	444S/444S	484S/484S	
15	404S/404S	444S/444S	484S/484S	444S/444S	484S/484S	504S/504S	444S/444S	484S/484S	504S/504S	444S/444S	484S/484S	504S/504S	444S/444S	484S/484S	504S/504S	
20	444S/444S	484S/484S	504S/504S	484T	504U	504S	484T	504U	504S	484T	504U	504S	484T	504U	504S	
25	484T	504U	504S	504S/505S	544U/544S	584S/584S	504S/505S	544U/544S	584S/584S	504S/505S	544U/544S	584S/584S	504S/505S	544U/544S	584S/584S	
30	504S/505S	544U/544S	584S/584S	544S/544S	584S/584S	604S/604S	544S/544S	584S/584S	604S/604S	544S/544S	584S/584S	604S/604S	544S/544S	584S/584S	604S/604S	
40	544S/544S	584S/584S	604S/604S	584T	604U	604S	584T	604U	604S	584T	604U	604S	584T	604U	604S	
50	584T	604U	604S	604S/605S	644U/644S	684S/684S	604S/605S	644U/644S	684S/684S	604S/605S	644U/644S	684S/684S	604S/605S	644U/644S	684S/684S	
60	604S/605S	644U/644S	684S/684S	644S/644S	684S/684S	704S/704S	644S/644S	684S/684S	704S/704S	644S/644S	684S/684S	704S/704S	644S/644S	684S/684S	704S/704S	
75	644S/644S	684S/684S	704S/704S	684T	704U	704S	684T	704U	704S	684T	704U	704S	684T	704U	704S	
100	684T	704U	704S	704S/705S	744U/744S	784S/784S	704S/705S	744U/744S	784S/784S	704S/705S	744U/744S	784S/784S	704S/705S	744U/744S	784S/784S	
125	704S/705S	744U/744S	784S/784S	744S/744S	784S/784S	804S/804S	744S/744S	784S/784S	804S/804S	744S/744S	784S/784S	804S/804S	744S/744S	784S/784S	804S/804S	
150	744S/744S	784S/784S	804S/804S	784T	804U	804S	784T	804U	804S	784T	804U	804S	784T	804U	804S	
200	784T	804U	804S	804S/805S	844U/844S	884S/884S	804S/805S	844U/844S	884S/884S	804S/805S	844U/844S	884S/884S	804S/805S	844U/844S	884S/884S	
250	804S/805S	844U/844S	884S/884S	844S/844S	884S/884S	904S/904S	844S/844S	884S/884S	904S/904S	844S/844S	884S/884S	904S/904S	844S/844S	884S/884S	904S/904S	

FRACTION/DECIMAL/MILLIMETER CONVERSIONS

Inch - Fraction	Inch - Decimal	Millimeter	Inch - Fraction	Inch - Decimal	Millimeter	Inch - Fraction	Inch - Decimal	Millimeter	Fraction	Decimal	Millimeter
1/64	0.015625	0.397	17/64	0.265625	6.747	33/64	0.515625	13.097	49/64	0.765625	19.447
1/32	0.03125	0.794	9/32	0.28125	7.144	17/32	0.53125	13.494	25/32	0.78125	19.844
3/64	.046875	1.191	19/64	0.296875	7.541	35/64	0.546875	13.891	51/64	0.796875	20.241
1/16	0.0625	1.588	5/16	0.3125	7.938	9/16	0.5625	14.288	13/16	0.8125	20.638
5/64	0.078125	1.984	21/64	0.328125	8.334	37/64	0.578125	14.684	53/64	0.828125	21.034
3/32	0.09375	2.381	11/32	0.34375	8.731	19/32	0.59375	15.081	27/32	0.84375	21.431
7/64	0.109375	2.778	23/64	0.359375	9.128	39/64	0.609375	15.478	55/64	0.859375	21.828
1/8	0.125	3.175	3/8	0.375	9.525	5/8	0.625	15.875	7/8	0.875	22.225
9/64	0.140625	3.572	25/64	0.390625	9.921	41/64	0.640625	16.272	57/64	0.890625	22.622
5/32	0.15625	3.969	13/32	0.40625	10.319	21/32	0.65625	16.669	29/32	0.90625	23.019
11/64	.171875	4.366	27/64	0.421875	10.716	43/64	0.671875	17.066	59/64	0.921875	23.416
3/16	0.1875	4.762	7/16	0.4375	11.112	11/16	0.6875	17.462	15/16	0.9375	23.812
13/64	0.203125	5.159	29/64	0.453125	11.509	45/64	0.703125	17.859	61/64	0.953125	24.209
7/32	0.21875	5.556	15/32	0.46875	11.906	23/32	0.71875	18.256	31/32	0.96875	24.606
15/64	0.234375	5.953	31/64	0.484375	12.303	47/64	0.734375	18.653	63/64	0.984375	25.003
1/4	0.25	6.350	1/2	0.50	12.700	3/4	0.75	19.050	1	1.00	25.400

MM	Inch	MM	Inch
1	0.039	14	0.5519
2	0.079	15	0.5906
3	0.118	16	0.6300
4	0.157	17	0.6693
5	0.196	18	0.7087
6	0.236	19	0.7480
7			



Regal Beloit America, Inc.

1051 Cheyenne avenue

Grafton, WI 53024

Customer Service: 262-377-8810

Fax: 262-377-9025

www.regalbeloit.com

APPLICATION CONSIDERATIONS

The proper selection and application of power transmission products and components, including the related area of product safety, is the responsibility of the customer. Operating and performance requirements and potential associated issues will vary appreciably depending upon the use and application of such products and components. The scope of the technical and application information included in this publication is necessarily limited. Unusual operating environments and conditions, lubrication requirements, loading supports, and other factors can materially affect the application and operating results of the products and components and the customer should carefully review its requirements. Any technical advice or review furnished by Regal Beloit America, Inc. and/or its affiliates ("Regal") with respect to the use of products and components is given in good faith and without charge, and Regal assumes no obligation or liability for the advice given, or results obtained, all such advice and review being given and accepted at customer's risk.

For a copy of our Standard Terms and Conditions of Sale, please visit <http://www.regalbeloit.com> (please see link at bottom of page to "Standard Terms and Conditions of Sale"). These terms and conditions of sale, disclaimers and limitations of liability apply to any person who may buy, acquire or use a Regal product referred to herein, including any person who buys from a licensed distributor of these branded products.

NEMA is believed to be the trademark and/or trade name of National Electrical Manufacturers Association and is not owned or controlled by Regal Beloit Corporation.

Regal and Leeson are trademarks of Regal Beloit Corporation or one of its affiliated companies.

©2004, 2018 Regal Beloit Corporation, All Rights Reserved. MCP18017E • Form# L0048E

The REGAL logo features the word "REGAL" in a bold, white, sans-serif font, slanted to the right, set against a dark gray parallelogram background. A small registered trademark symbol (®) is located at the top right of the parallelogram.